

Desktop Evaporative Air Cooler & Humidifier EE-4000

QUICKSTART

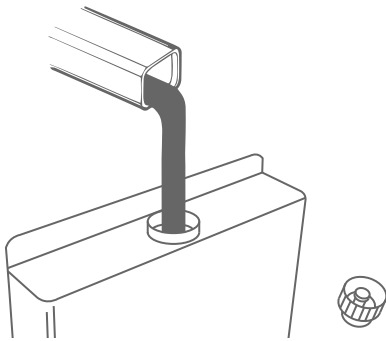
Please contact us first with any questions or problems you have about the operation of your Crane humidifier.



1-888-599-0992

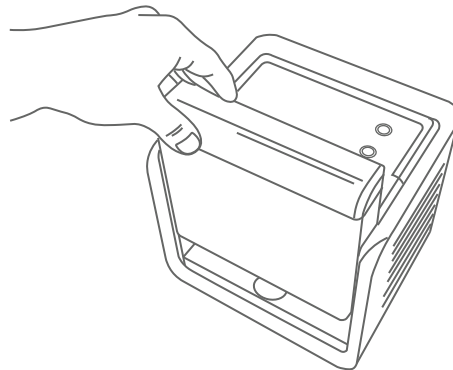


questions@crane-usa.com



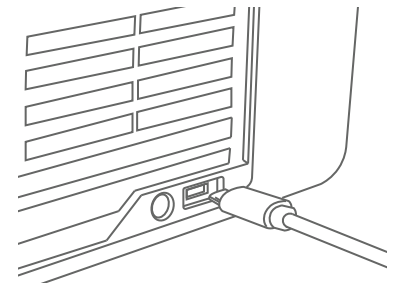
FILL

Remove the water tank from the side of the unit and fill with water



PLACE

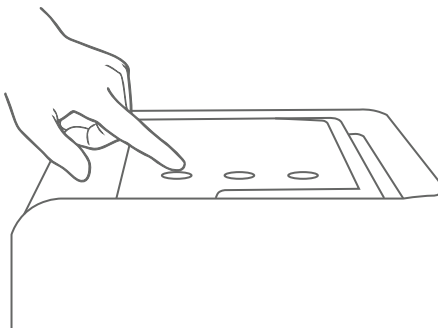
Place the water tank back onto the unit



PLUG IN

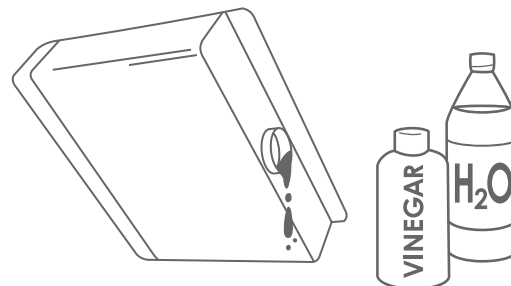
Plug in the unit with the micro USB power cord

**DO NOT PLACE ON
A WOOD SURFACE**



POWER

Power the unit on with the power and setting controls on the top of the unit



EMPTY + CLEAN

Empty tank, use Crane Cleaner or vinegar and water